

ASAM OTX Extensions V3.0.0

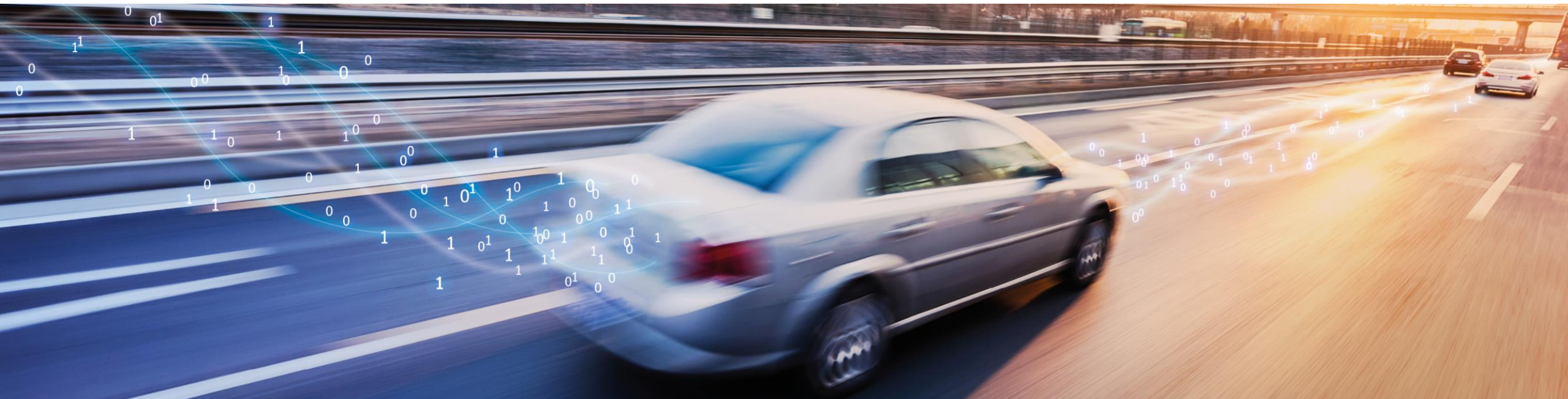
Release Presentation

Dr. Supke

CEO, emotive GmbH & Co. KG

13.03.2020

WebEx



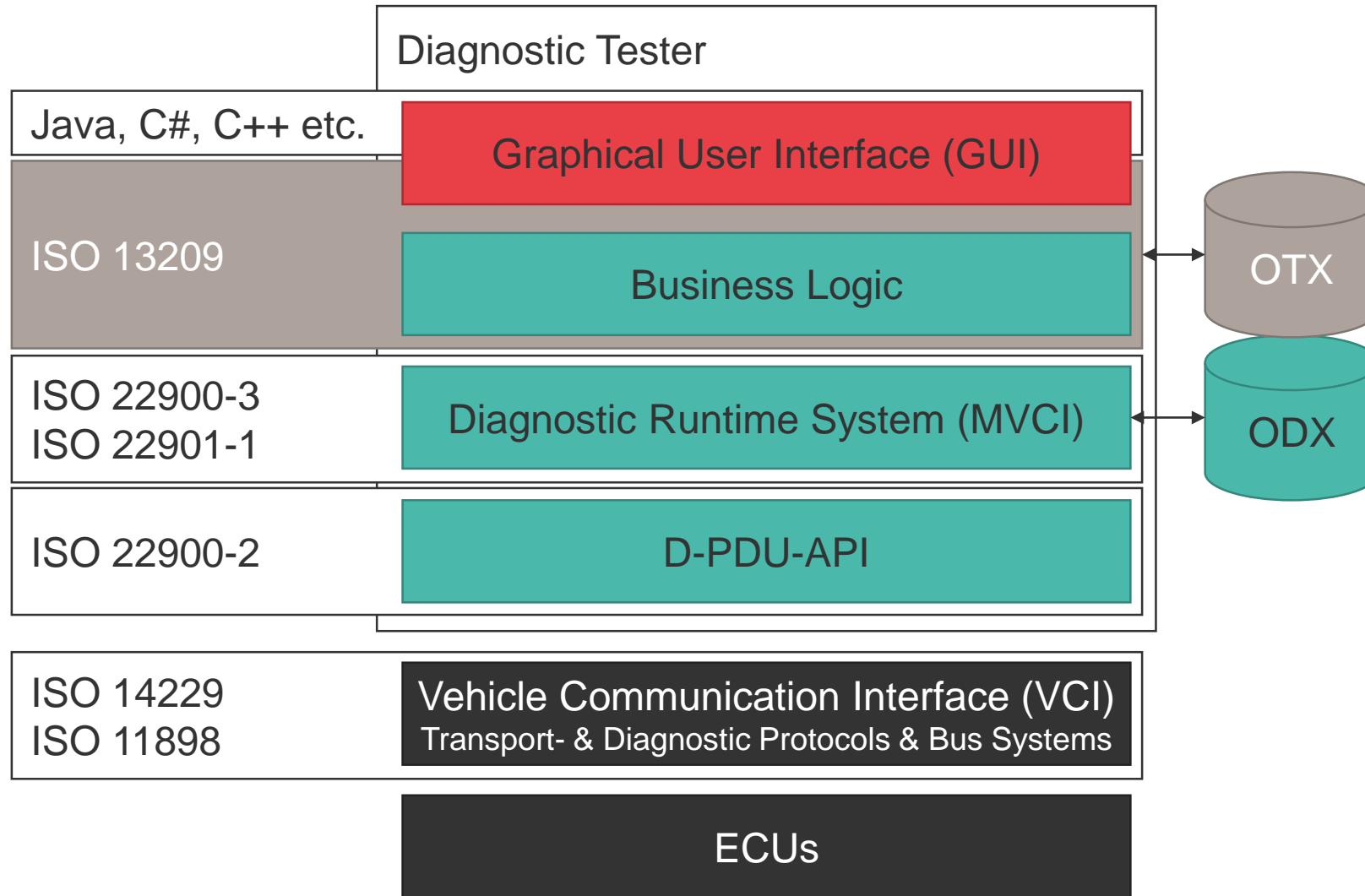
Agenda

- 1 Introduction**
- 2 Motivation for New Release**
- 3 New Features**
- 4 Backward-Compatibility**
- 5 Relation to Other Standards**
- 6 Deliverables**

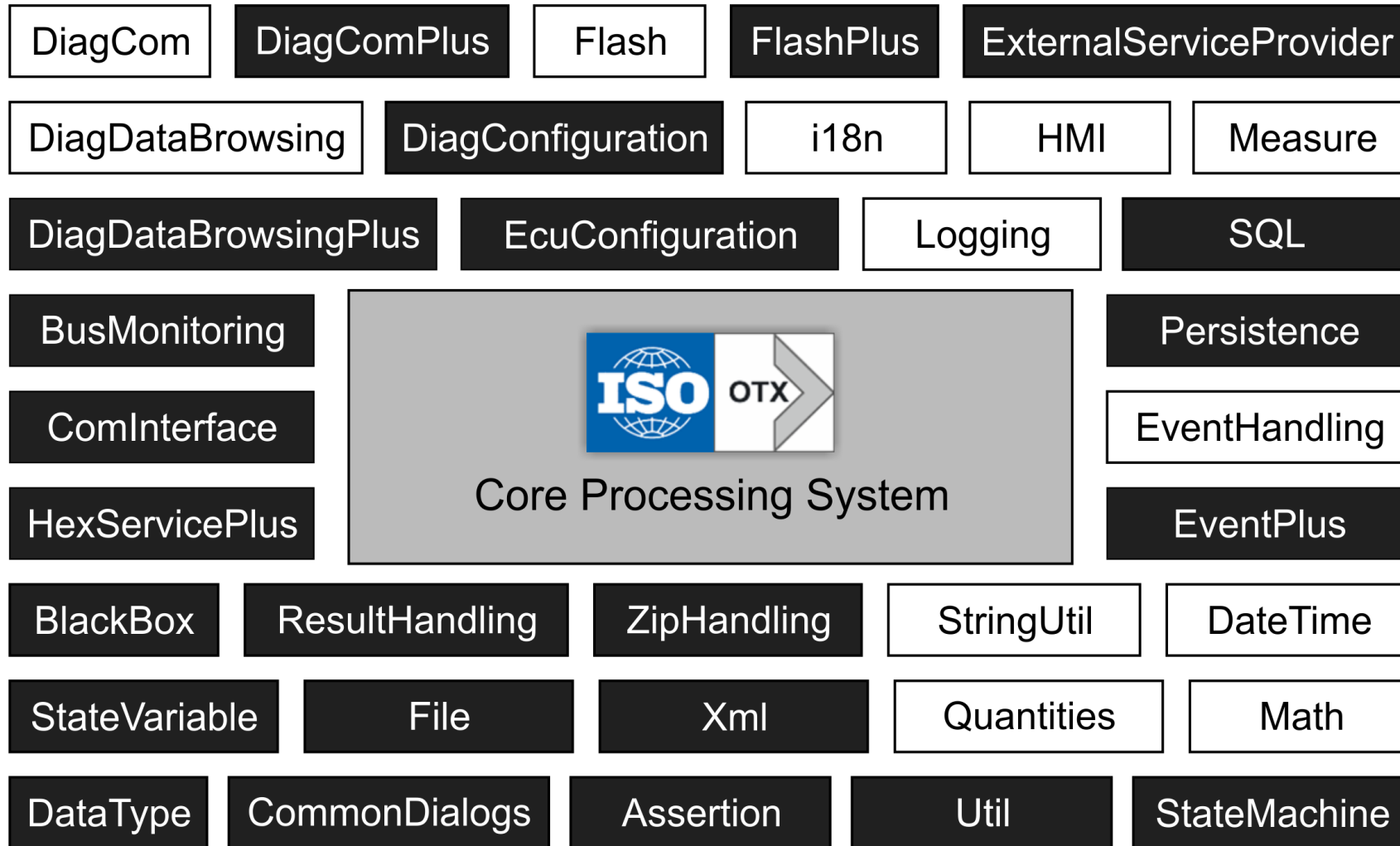
Introduction

- Open Test sequence eXchange published 08/2012 by ISO 13209
- Platform and tester independent exchange format for formal description of executable test sequences
- Goal: Creation, exchanging, archiving and execution of verified test sequences
- OTX is the logical and consistent development of standardization in the vehicle diagnosis

Standard relations



OTX Extensions



■ New Extension □ Extensions in ISO 13209-3

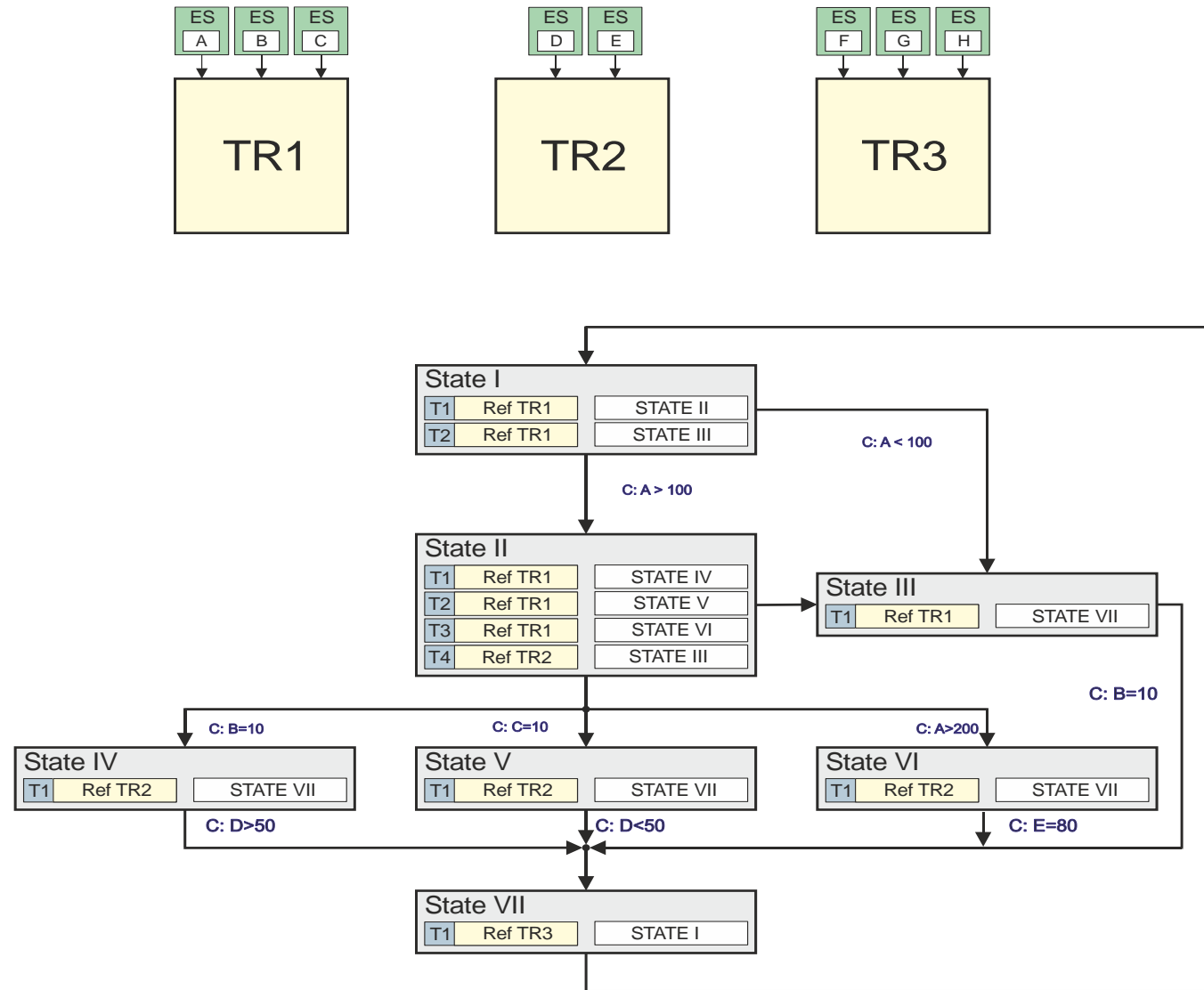
Motivation

- Should accompany the implementation phase of the existing OTX Extensions
- Should cover the expected clarification and review effort
- Should ensure the exchangeability about different tools suppliers and vehicle manufactures
- It improves the OTX code quality and standard acceptance

New Features

StateMachineExtension integrated

- A state machine consists of 1 to n states and state transitions for the state change which will be realized by the occurrence of conditions supervised by triggers.



Backward Compatibility

The xsd changes are not compatible to the prior version (e.g. DiagDataBrowsingPlus, TestResultHandling)

Relation to Other Standards

ISO 13209

- Results are ISO 13209 compliant
- Result are transferred to ISO 13209-4

Deliverables

Documents

- Specification

Supplementary Files

- EA model (UML)
- XSD schemas generated from the EA model